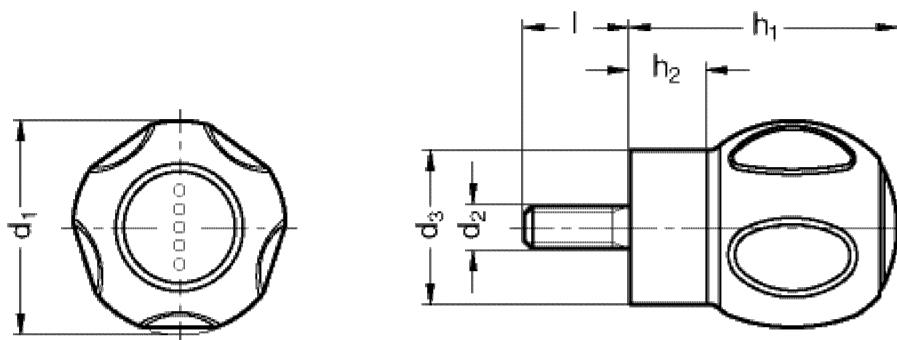


GN 675 Softline-Ball handles



d1	d2	Length l	d3	h1	h2
50	M 8	20	37	64	20
50	M 10	25	37	64	20

Specification

Plastic Technopolymer
(Polypropylen PP)

lagged with a
soft elastomer (TPE)
70 Shore A
Temperature resistant up
to 80° C

black-grey, matt
similar to RAL 7021

Softline lagging is
chemically bonded with the
solid body

Threaded shaft in steel
Zinc plated, blue
passivated

Information

The softline lagging of the ball handle GN 675 gives this handle an ergonomically and operator friendly feel.

The **soft, antislip** contact surface is very user friendly. It improves the contact between a damp (perspiration) or a dry hand, an oily surface, whether in a cold or hot environment.

The Softline ball handle can be used on an operating lever or on clamping levers.

The solid plastic centre body guarantees perfect anchoring of the threaded shaft.

How to order

ELESA-Softline-Ball handle

GN 675-50-M10-25

Code no.	675
d1	50
d2	M10
Length l	25